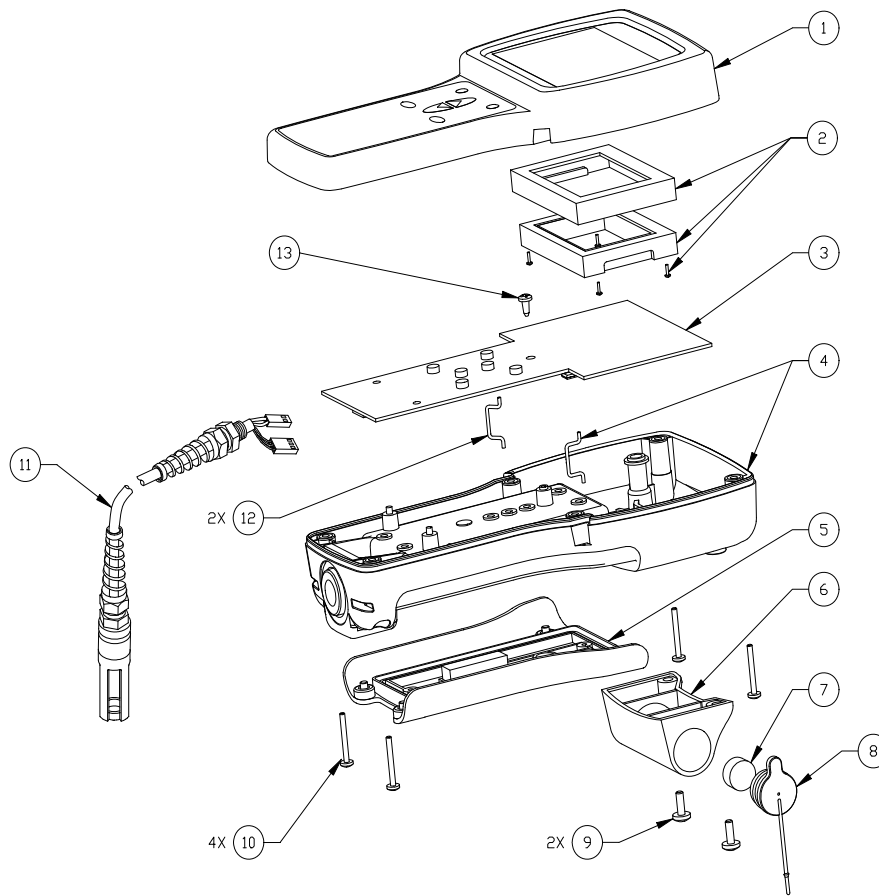


YSI Model 550 Assembly Drawing



Bubble Number	YSI Order Number	Description
1	Not Available - Obsolete	Front Cover Assembly W/Keypad
2	115524	Display Parts Kit
3	Not Available - Obsolete	PC Board Assembly W/Display
4	115521	Rear Case Assembly
5	116505	Battery Lid Assembly W/Screws
6	655148	Probe Storage Chamber
7	055219	Sponge
8	655157	Rubber Plug
9	655155	(2) 1/4-20 Phillips Round Machine Screws
10	655152	(6) 6-32 x 1 Lg Pan Head Torx Screws
11	115158	Cable assembly, 12 ft
11	115159	Cable assembly, 25 ft
11	059956	Probe Guard
11	655900	Replaceable DO Module
12	655137	Handstrap Bail
13	655154	4-20 x 1/4 Lg PCB Screw